

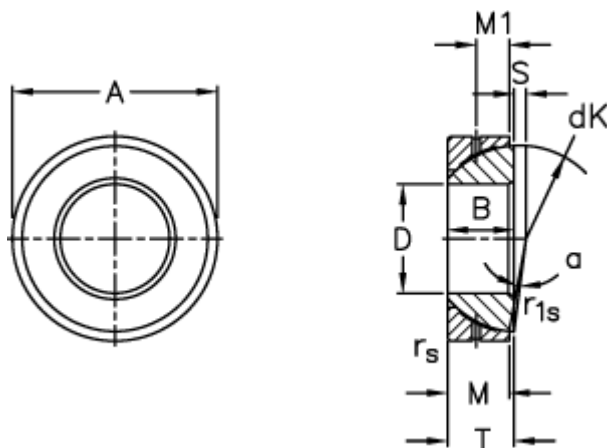
# Data Sheet



Article number: 03509028

Description: Fluro Rod end GE 28SX

## Measures



A	= 52 0 -0,016	S	= 1
B	= 15	Static load C0 (kN)	= 300
D	= 28 0 -0,012	T	= 16 +0,25 -0,40
dK	= 47	Tilt angle	= 2
Dynamic load C (kN)	= 60	Weight	= 186
M	= 15		
M1	= 8		
rs, r1s min	= 1		